

6.5. Pin Configuration

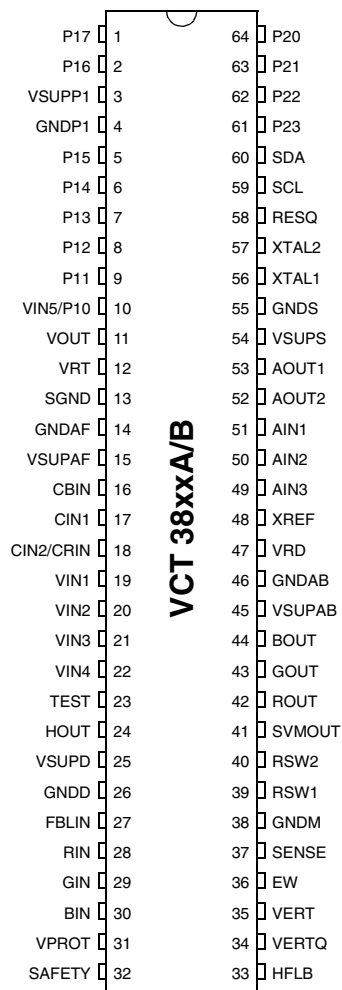


Fig. 6-3: PSDIP64 package