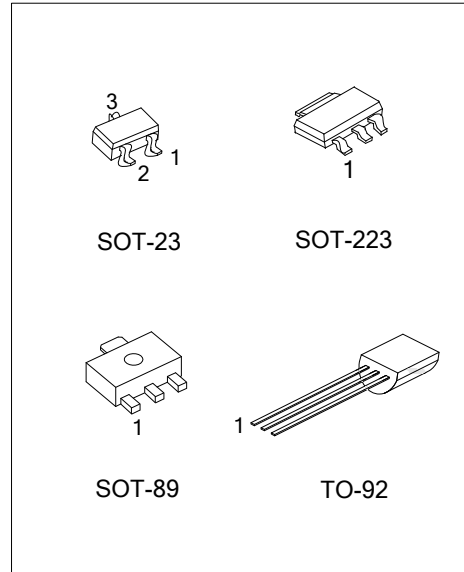




**MCR100**

**SCR**

**SENSITIVE GATE SILICON  
CONTROLLED RECTIFIERS  
REVERSE BLOCKING  
THYRISTORS**



■ **DESCRIPTION**

PNPN devices designed for high volume, line-powered consumer applications such as relay and lamp drivers, small motor controls, gate drivers for larger thyristors, and sensing and detection circuits.

■ **FEATURES**

- \* Sensitive gate allows triggering by micro controllers and other logic circuits
- \* Blocking voltage to 600V
- \* On-state current rating of 0.8A RMS at 80°C
- \* High surge current capability – 10A
- \* Minimum and maximum values of  $I_{GT}$ ,  $V_{GT}$  and  $I_H$  specified for ease of design
- \* Immunity to  $dV/dt$  – 20V/ $\mu$ sec minimum at 110°C
- \* Glass-passivated surface for reliability and uniformity

■ **ORDERING INFORMATION**

Ordering Number		Package	Pin assignment			Packing
Lead Free	Halogen Free		1	2	3	
-	MCR100G-4-x-AA3-R	SOT-223	K	A	G	Tape Reel
-	MCR100G-4-x-AB3-R	SOT-89	G	A	K	Tape Reel
-	MCR100G-4-x-AE3-R	SOT-23	G	K	A	Tape Reel
MCR100L-4-x-T92-B	MCR100G-4-x-T92-B	TO-92	K	G	A	Tape Box
MCR100L-4-x-T92-K	MCR100G-4-x-T92-K	TO-92	K	G	A	Bulk
-	MCR100G-6-x-AA3-R	SOT-223	K	A	G	Tape Reel
-	MCR100G-6-x-AB3-R	SOT-89	G	A	K	Tape Reel
-	MCR100G-6-x-AE3-R	SOT-23	G	K	A	Tape Reel
MCR100L-6-x-T92-B	MCR100G-6-x-T92-B	TO-92	K	G	A	Tape Box
MCR100L-6-x-T92-K	MCR100G-6-x-T92-K	TO-92	K	G	A	Bulk
-	MCR100G-8-x-AA3-R	SOT-223	K	A	G	Tape Reel
-	MCR100G-8-x-AB3-R	SOT-89	G	A	K	Tape Reel
-	MCR100G-8-x-AE3-R	SOT-23	G	K	A	Tape Reel
MCR100L-8-x-T92-B	MCR100G-8-x-T92-B	TO-92	K	G	A	Tape Box
MCR100L-8-x-T92-K	MCR100G-8-x-T92-K	TO-92	K	G	A	Bulk

Note: Pin assignment: G: Gate K: Cathode A: Anode

<p>MCR100L-4-x-AB3-R</p>	<p>(1) Packing Type (2) Package Type (3) Rank (4) Green Package</p>	<p>(1) B: Tape Box, K: Bulk, R: Tape Reel (2) AB3: SOT-89, AE3: SOT-23, T92: TO-92 (3) x: Refer to CLASSIFICATION OF <math>I_{GT}</math> (4) L: Lead Free, G: Halogen Free and Lead Free</p>
--------------------------	---	--

■ MARKING

Package	MCR100-4	MCR100-6	MCR100-8
SOT-223	<p>MCR100G -4 □□□□ → Data Code 1</p>	<p>MCR100G -6 □□□□ → Data Code 1</p>	<p>MCR100G -8 □□□□ → Data Code 1</p>
SOT-89	<p>□□□□ → Data Code R4G</p>	<p>□□□□ → Data Code R6G</p>	<p>□□□□ → Data Code R8G</p>
SOT-23	<p>R4G</p>	<p>R6G</p>	<p>R8G</p>
TO-92	<p>UTC MCR100□ -4 □□□□ → Data Code 1</p> <p>L: Lead Free G: Halogen Free</p>	<p>UTC MCR100□ -6 □□□□ → Data Code 1</p> <p>L: Lead Free G: Halogen Free</p>	<p>UTC MCR100□ -8 □□□□ → Data Code 1</p> <p>L: Lead Free G: Halogen Free</p>