

RF Signal Processing Servo Amplifier for CD Player

Description

The CXA1372 is a bipolar IC developed for RF signal processing (focus OK, mirror, defect detection, EFM comparator) and servo control.

Features

- Single power supply, 5V
- Low power consumption
- Fewer external parts
- Built-in circuit for effective disc defect measures
- Share serial data bus from the microcomputer with CXD2500
- Fully compatible with CXA1182 for microcomputer software

Functions

- Auto asymmetry control
- Focus OK detection circuit
- Mirror detection circuit
- Defects detection, counter measures circuit
- EFM comparator
- Focus servo control
- Tracking servo control
- Sled servo control

Structure

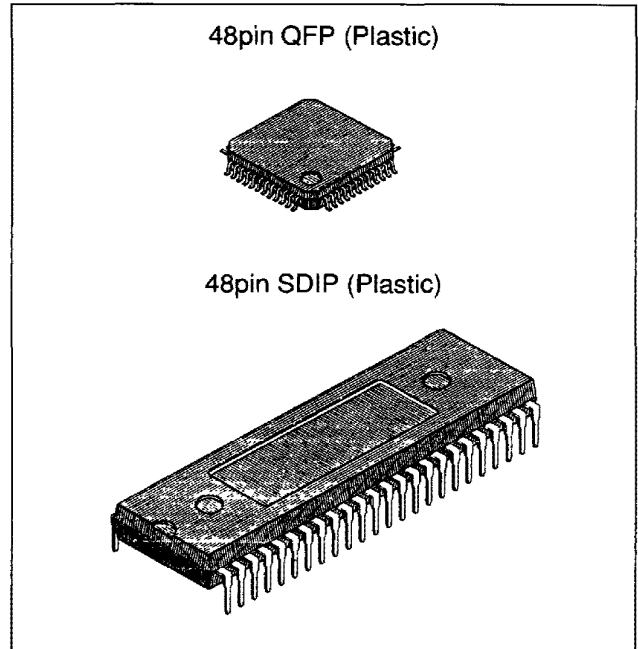
Silicon monolithic IC

Absolute Maximum Ratings (Ta = 25°C)

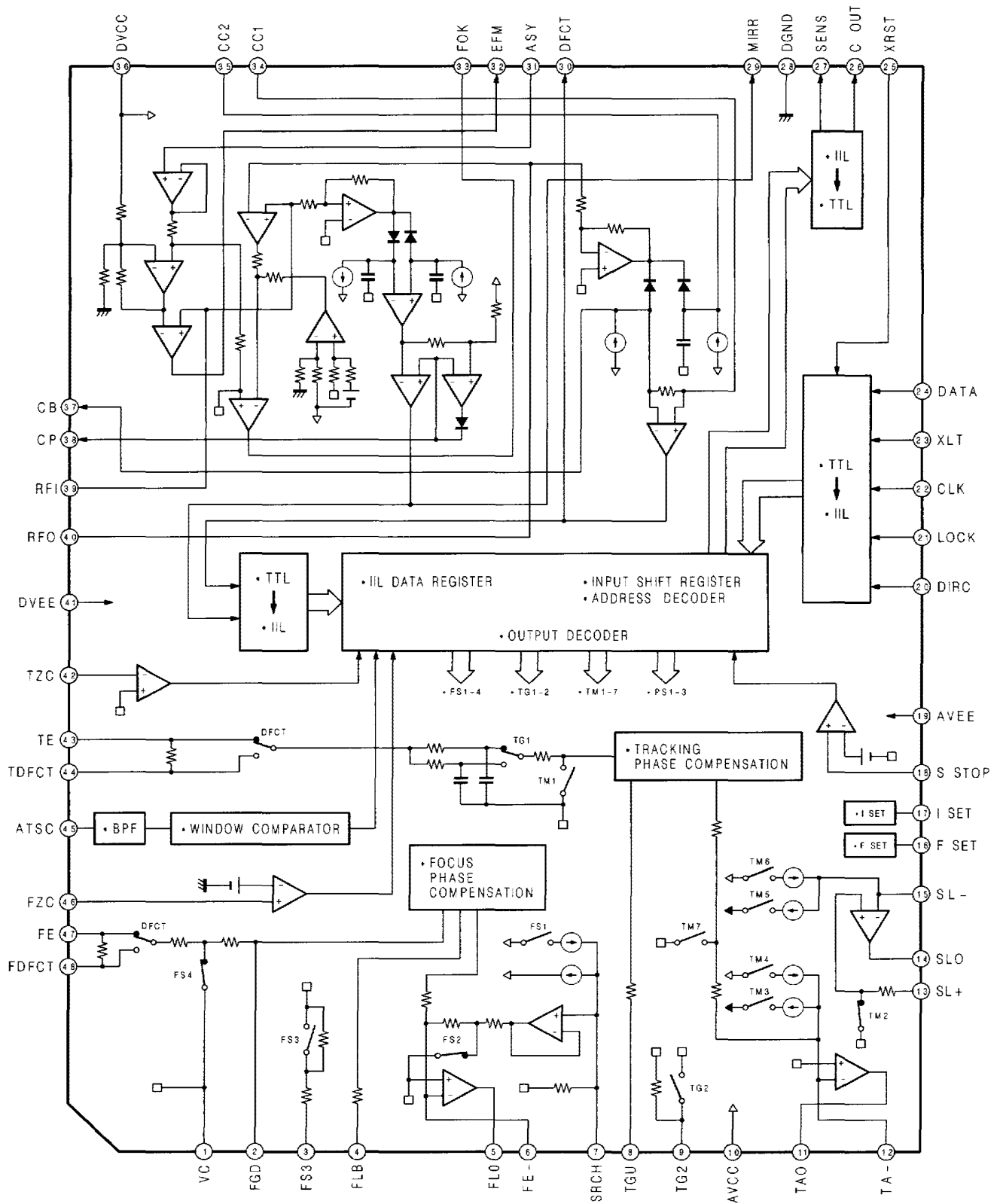
• Supply voltage	V _{CC} - V _{EE}	12	V
• Operating temperature	T _{opr}	-20 to +75	°C
• Storage temperature	T _{stg}	-55 to +150	°C
• Allowable power dissipation	P _d	CXA1372S	833 mW
		CXA1372Q	457 mW

Recommended Operating Conditions

V _{CC} - V _{EE}	3.6 to 11	V
V _{CC} - DGND	3.6 to 5.5	V

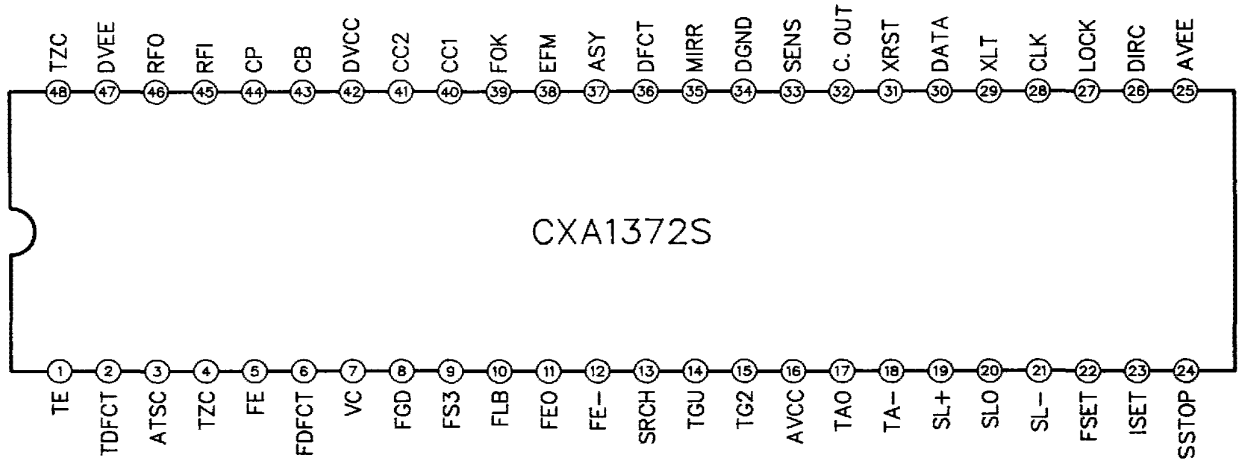


CXA1372Q Block Diagram

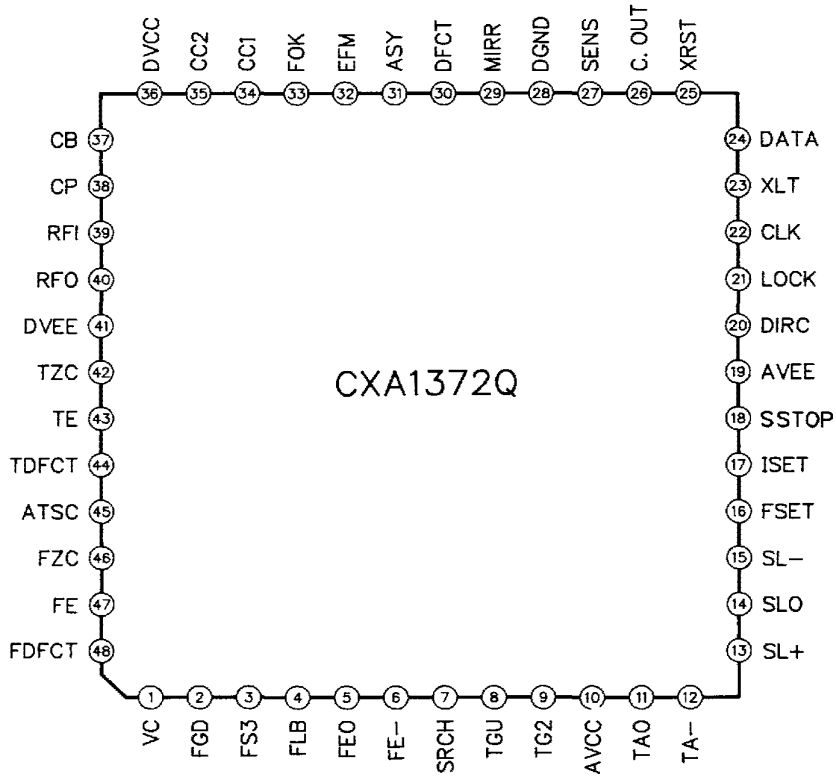


Pin Configuration

CXA1372S



CXA1372Q



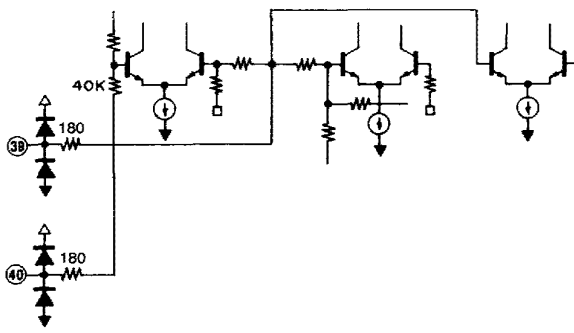
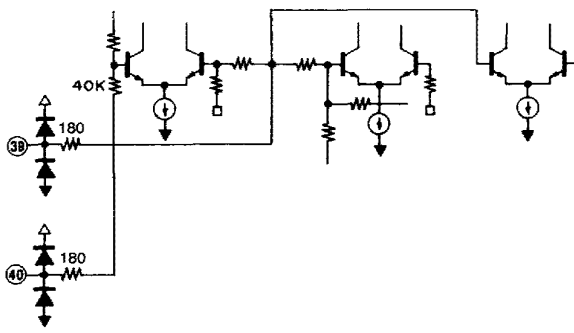
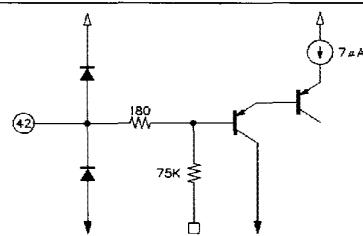
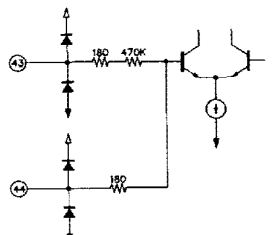
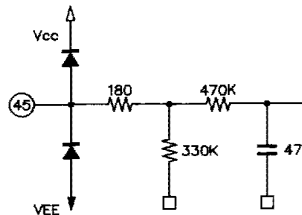
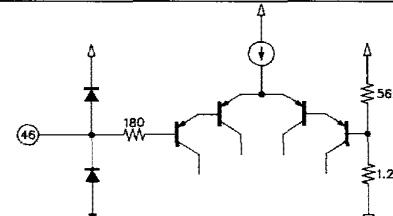
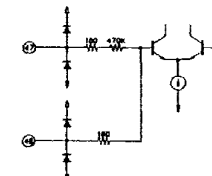
Pin Description

Pin No.		Symbol	I/O	Equivalent circuit	Description
Q	S				
1	7	VC	I		Center voltage input pin For dual power: GND For single power supply: $(V_{cc} + GND)/2$
2	8	FGD	I		Connect a capacitor between this pin and pin 3 to reduce high-frequency gain.
3	9	FS3	I		The high-frequency gain of the focus servo is switched through FS3 On and OFF.
4	10	FLB	I		Time constant external pin to raise the low bandwidth of the focus servo.
5	11	FEO	O		Focus drive output.
11	17	TAO	O		Tracking drive output.
14	20	SLO	O		Sled drive output.
6	12	FE-	I		Inverse input pin for focus amplifier.

Pin No.		Symbol	I/O	Equivalent circuit	Description
Q	S				
7	13	SRCH	I		Time constant external pin for the formation of focus search waveforms.
8	14	TGU	I		Time constant external pin for the selection of tracking high band gain.
9	15	TG2	I		Time constant external pin for the selection of tracking high band gain.
12	18	TA-	I		Inverse input pin for tracking amplifier.
13	19	SL+	I		Non-inverse input pin for sled amplifier.
15	21	SL-	I		Inverse input pin for sled amplifier.

Pin No.		Symbol	I/O	Equivalent circuit	Description
Q	S				
16	22	FSET	I		Pin to set peak frequency of focus tracking phase compensation and fo of CLV LPF.
17	23	ISSET	I		Current is input to determine focus search, track jump, and sled kick height.
18	24	SSTOP	I		Limit SW ON/OFF signal detection pin for disc inner periphery detection.
20	26	DIRC	I		Pin for one-track jump. Contains a 47kΩ pull-up resistor.
21	27	LOCK	I		At "L" sled runaway prevention circuit operates. Contains a 47kΩ pull-up resistor.
22	28	CLK	I		Serial data transfer clock input from CPU.
23	29	XLT	I		Latch input from CPU.
24	30	DATA	I		Serial data input from CPU.
25	31	XRST	I		Reset input pin, reset at "L".
26	32	SENS	O		Outputs FZC, AS, TZC and SSTOP through command from CPU.
27	33	C. OUT	O		Track number count signal output.

Pin No.		Symbol	I/O	Equivalent circuit	Description
Q	S				
29	35	MIRR	O		MIRR comparator output pin.
38	44	CP	I		Connecting pin of MIRR hold condenser. Non-inverted input pin of MIRR comparator.
34	40	CC1	I		Output pin of DEFECT bottom hold.
35	41	CC2	O		Input pin for the capacitance coupled output of DEFECT bottom hold.
30	36	DFCT	O		Output pin of DEFECT comparator.
37	43	CB	I		Connection pin of DEFECT bottom hold capacitor.
31	37	ASY	I		Input pin of auto asymmetry control.
32	38	EFM	O	<p>Depending on power supply Current source (Vcc to D_{GND})</p>	Output pin of EFM comparator.
33	39	FOK	O		Output pin of FOK comparator.

Pin No.		Symbol	I/O	Equivalent circuit	Description
Q	S				
39	45	RFI	I		Input pin with coupling capacitor where RF summing amplifier output is connected.
40	46	RFO	O		Output pin of RF summing amplifier and check point of eye pattern.
42	48	TZC	I		Input pin of tracking zero-cross comparator.
43	1	TE	I		Input pin of tracking error amplifier.
44	2	TDFCT	I		Capacitor connecting pin for time constant during defects.
45	3	ATSC			Window comparator input pin for ATSC detection.
46	4	FZC	I		Pin for focus zero-cross comparator input.
47	5	FE	I		Input pin of focus error.
48	6	FDFCT	I		Capacitor connecting pin for time constant during defect functions.

Electrical Characteristics

Ta=25°C, Vcc=+2.5V, VEE=-2.5V, D.GND=-2.5V

No.	Item	Symbol	SW condition									SD	Bias condition				Test point	Output waveform and description of test method	Min.	Typ.	Max.	Unit		
			S1	S2	S3	S4	S5	S6	S7	S8	S9		E1	E2	E3	E4								
1	Current consumption	Icc										00					10, 36		8	19	27	mA		
2	Current consumption	Iee										00					19, 41		-8	-16	-22	mA		
3	DC voltage gain	GFE0										08					5	V1=10HZ, 100mVp-p GFE0=20 log (Vout/Vin)	18.0	21.0	24.0	dB		
4	Field through	VFE0F										00					5	SG=10kHz, 40mVp-p Difference in gain when SD=00 and SD=08				-35	dB	
5	Max. output voltage	VFE01		○								08					5	V1=0.5Vdc	2.0				V	
6	Max. output voltage	VFE02		○								08					5	V1=-0.5Vdc				-2.0	V	
7	Max. output voltage	VFE03		○	○							08					5	V1=0.5Vdc	1.2				V	
8	Max. output voltage	VFE04		○	○							08					5	V1=-0.5Vdc				-1.2	V	
9	Search output voltage	VSRCH1										02					5		-640			-360	mV	
10	Search output voltage	VSRCH2										03					5		360			640	mV	
11	FZC threshold	VFZC										00				*	27	*(Vcc+DGND)/2=SENS value when E4 is varied.	39	50	61		mV	
12	DC voltage gain	GTE0										25					11	V2=10Hz, 500mVp-p GTE0=20 log (Vout/Vin)	11.6	14.6	17.6		dB	
13	Field through	VT0F										00					11	V2=10kHz, 40mVp-p Difference in gain when SD=00 and SD=25					-39	dB
14	Max. output voltage	VT01						○				25					11	V2=-0.5Vdc	2.0				V	
15	Max. output voltage	VT02						○				25					11	V2=0.5Vdc					-2.0	V
16	Max. output voltage	VT03						○	○			25					11	V2=-0.5Vdc	1.2				V	
17	Max. output voltage	VT04						○	○			25					11	V2=0.5Vdc					-1.2	V
18	Jump output voltage	VJUMP1										2C					11		-640				-360	mV
19	Jump output voltage	VJUMP2										28					11		360				640	mV
20	ATSC threshold	VATSC1										20				*	27	*(Vcc+DGND)/2=SENS value when E3 is varied.	-45	-26	-7		mV	
21	ATSC threshold	VATSC2										20					27		7	26			-45	mV
22	TZC threshold	VTZC										20		*			27	*(Vcc+DGND)/2 SENS value when E2 is varied.	-20	0	20		mV	

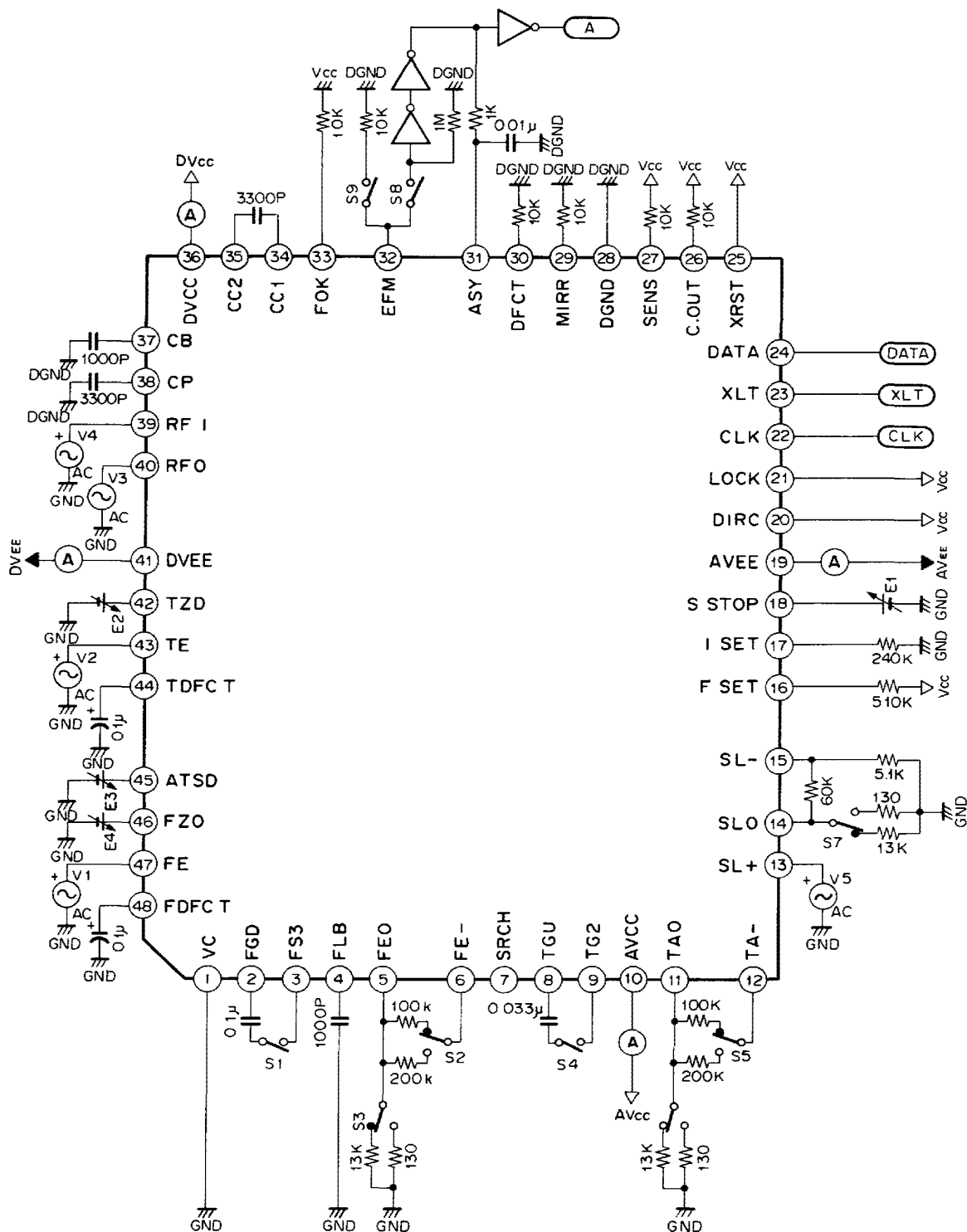
No.	Item	Symbol	SW condition									SD	Bias condition				Test point	Output waveform and description of test method	Min.	Typ.	Max.	Unit
			S1	S2	S3	S4	S5	S6	S7	S8	S9		E1	E2	E3	E4						
23	DC voltage gain	GSLO										25					14	V _s =10Hz, 20mVp-p Open loop gain	50			dB
24	Field through	VSLOF										00					14	V _s =10kHz, 100mVp-p Difference in gain when SD=00 and SD=25			-34	dB
25	S L E D	Max. output voltage										25					14	V _s =1.0Vdc	2.0			V
26		Max. output voltage											25					14	V _s =-1.0Vdc			-2.0
27	S E R V O	Max. output voltage										25				○	14	V _s =1.0Vdc	2.0			V
28		Max. output voltage											25				○	14	V _s =-1.0Vdc			-2.0
29		Kick output voltage										22					14		-750		-450	mV
30		Kick output voltage											23					14		450		750
31	SSTOP threshold	VSSTOP										30	*				27	*(V _{CC} +DGND)/2=SENS value when E1 is varied.	-40	-25	-10	mV
32	SENS low level	VSENS															27				-2.0	V
33	COUT low level	VCOUT															26				-2.0	V
34	FOK threshold	VFOKT															33	(V _{CC} +DGND)/2 the voltage between Pins 39 and 40 when V4 is varied.	-400	-356	-330	mV
35	F O K	High level voltage															33		2.2			V
36		Low level voltage															33	V ₄ =1Vp-p - 375mVdc			-1.8	V
37		Max. operating frequency															33		45			kHz
38		High level voltage															29	V ₄ =10kHz 1.0Vp-p - 0.4Vdc	1.8			V
39		Low level voltage															29					-2.0
40	M I R R O R	Max. operating frequency															29	V ₄ =800mVp-p - 0.4Vdc	30			kHz
41		Min. input operating voltage															29	V ₄ =10kHz, - 0.4Vdc			0.3	Vp-p
42		Max. input operating voltage															29			1.8		

No.	Item	Symbol	SW condition									SD	Bias condition				Test point	Output waveform and description of test method	Min.	Typ.	Max.	Unit					
			S1	S2	S3	S4	S5	S6	S7	S8	S9		E1	E2	E3	E4											
43	High level output voltage	VDFCTH																				30		1.8			V
44	Low level output voltage	VDFCTL																				30				-2.0	V
45	Min. operating frequency	FDFCT1																				30	V4=40mVp-p + 15mVdc			1	kHz
46	Max. operating frequency	FDFCT2																				30		2.5			kHz
47	Min. input operating voltage	VDFCT1																				30	V4=50Hz + 15mVdc			0.5	Vp-p
48	Max. input operating voltage	VDFCT2																				30		1.8			Vp-p
49	Duty 1	DEFM1																				31	V4=750kHz, 0.7Vp-p	-50	0	50	mV
50	Duty 2	DEFM2																				31	V4=750kHz, 0.7Vp-p + 0.25Vdc	0	50	100	mV
51	High level output voltage	VEFMH																				32	V4=750kHz, 0.7Vp-p	1.2			V
52	Low level output voltage	VEFML																				32				-1.2	V
53	Min. input operating voltage	VEFM1																				A	V4=750kHz			0.12	Vp-p
54	Max. input operating voltage	VEFM2																				A		1.8			Vp-p

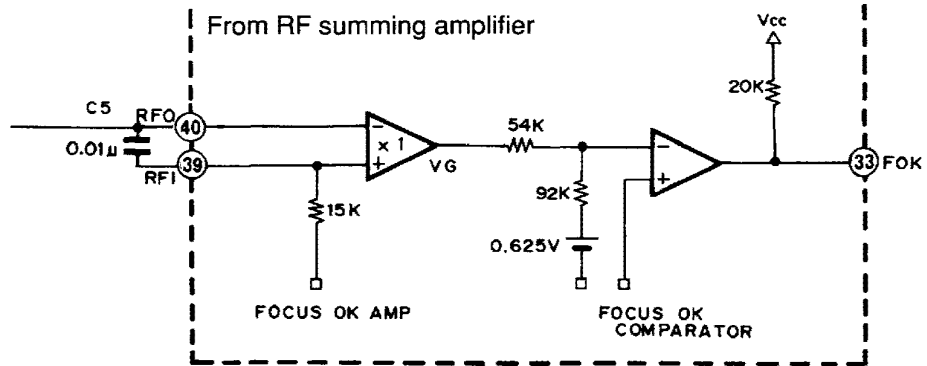
D E F M T

E F M

Electric Characteristics Test Circuit



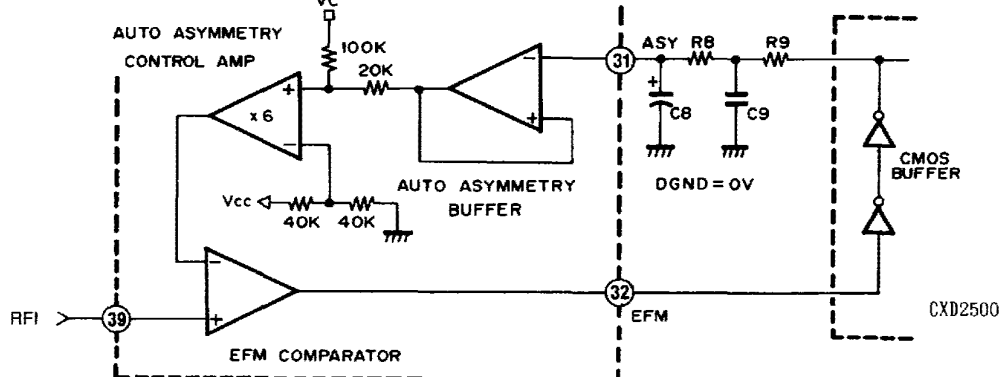
Focus OK circuit



Focus OK circuit generates a timing window to enable focus servo from a focus search condition. RF signal from Pin 46 is passed through HPF (High Pass Filter) and output from Pin 39. RF signal passed through LPF (Low Pass Filter) is output from Pin 33. Focus OK amplifier output is inverted when $V_{RFI} - V_{RFO} \# -0.37V$. C5 determines the time constants of HPF in the EFM comparator and mirror circuits as well as that of LPF in the focus OK amplifier. Normally, when $0.01\mu F$ is selected for C5, f_c (cut-off frequency) = 1kHz. This prevents the block error rate from worsening as the result of a damaged RF envelope due to scratched disc, etc.

EFM comparator

EFM comparator changes RF signal a binary value. The asymmetry generated due to variations in disc manufacturing cannot be eliminated by the AC coupling alone. Therefore, the reference voltage of EFM comparator is controlled through 1 and 0 that are in approximately equal numbers in the binary EFM signals.



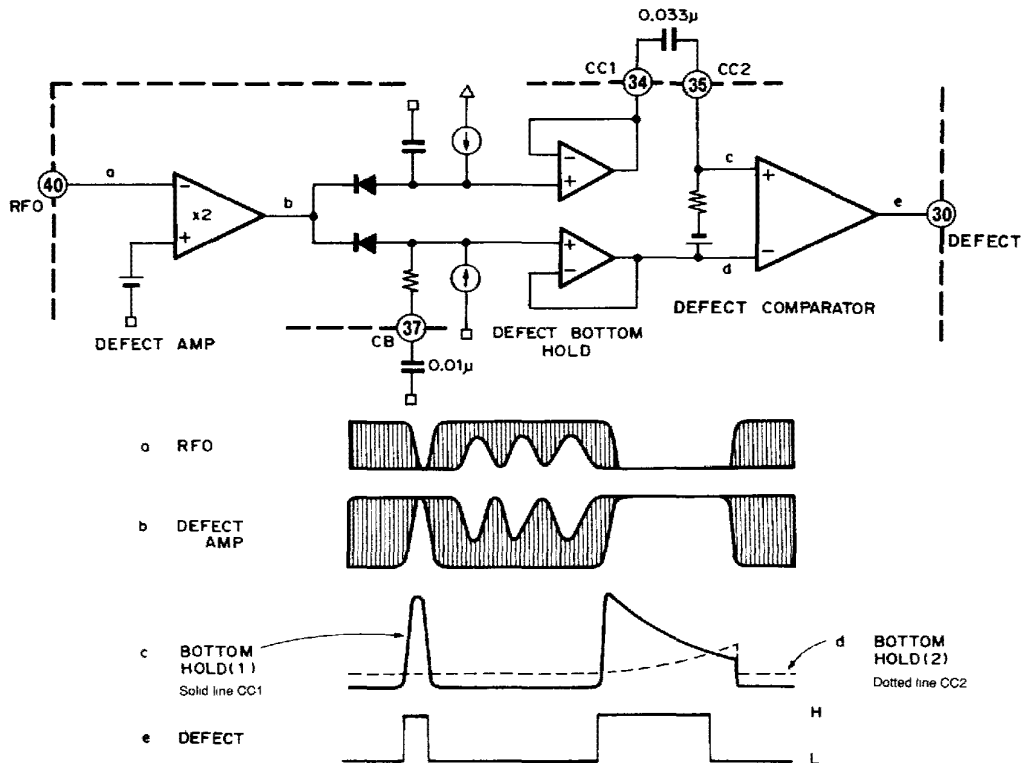
As this comparator is a current SW type, each of the H and L levels is not equal to the power supply voltage. A feedback has to be composed through the CMOS buffer.

R8, R9, C8, and C9 form a LPF to obtain $(V_{cc} + DGND)/2V$. When f_c (cut-off frequency) exceeds 500Hz, EFM low-frequency components leak badly, and the block error rate worsens.

DEFECT circuit

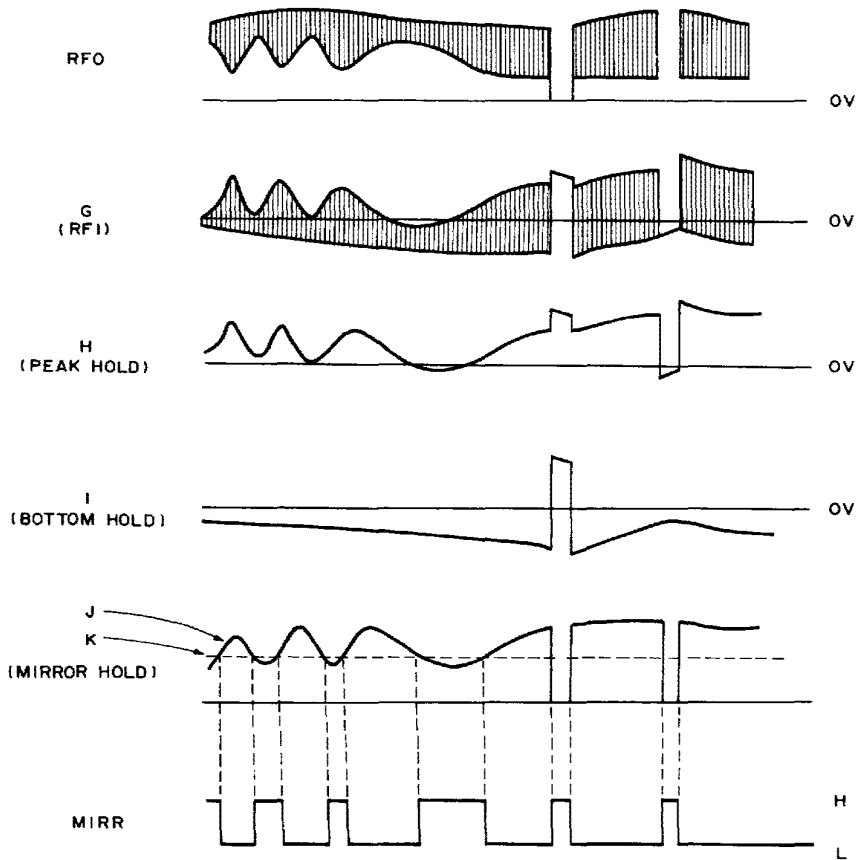
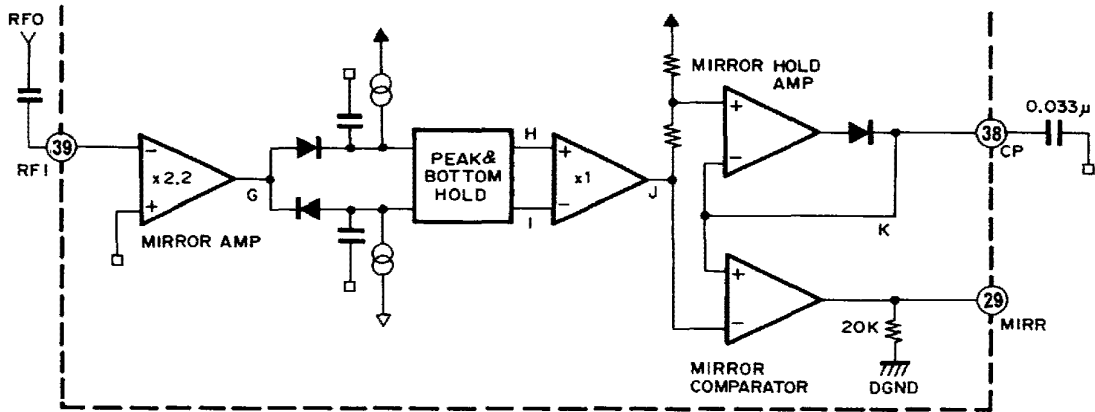
After inversion, RFI signal is bottom held by means of one long and one short time constant. The short time-constant bottom hold responds to a disc mirror defect in excess of 0.1 msec.

The long time-constant bottom hold keeps to the mirror level prior to the defect. By differentiating this with a capacitor coupling and shifting the level, both signals are compared to generate a mirror defect detection signal.



Mirror circuit

This circuit holds the bottom and peak (after amplifying RFI signal). Holds are performed by means of respective time constants that permit the peak hold to follow a 30kHz traverse while the bottom hold. This can follow the envelope fluctuations in the revolving cycle.



Through the differential amplification of peak and bottom hold signals, H and I, envelope signal J (demodulated to DC) is obtained. Two-thirds of the peak value of this signal J is held with a large time constant for the signal k. When k is compared with J, a mirror output is obtained by comparing signal k to signal J. Signal k equals two-thirds of J signal peak level held with a large time constant. That is, the mirror output on the disc track is at "L". Between tracks (mirror section) it is at "H". It is also at "H" when a defect is detected. The time constant for the mirror hold must be sufficiently larger than that of the traverse signal.

Commands

The input data that activates this IC consists of 8 bits. It is expressed hereafter as \$XX in two hexadecimal digits. (X denotes 0 to F). Commands for the CXA1372Q/S are classified into 4 types - \$0X to 3X.

1. At \$0X [SENSE (Pin 26) outputs "FZC" signal]

This command relates to the focus servo control.

The bit configuration is as follows:

D7	D6	D5	D4	D3	D2	D1	D0
0	0	0	0	FS4	FS3	FS2	FS1

Four switches, FS1 to FS4 are relate to focusing, and correspond to D0 through D3 respectively.

At \$00 FS1 = 0 and Pin 7 is charged to $(22\mu\text{A} - 11\mu\text{A}) \times 50\text{k}\Omega = 0.55\text{V}$.

If FS2 = 0, this voltage is not output and the output of Pin 5 remains at 0V.

At \$02 From the above state, only FS2 turns to 1 while a negative output is output to Pin 5. This voltage level is stipulated as follows:

$$(22\mu\text{A} - 11\mu\text{A}) \times 50\text{k}\Omega \times \frac{\text{Resistance value between Pin 5 and Pin 6}}{50\text{ k}\Omega} \dots (1)$$

At \$03 From the above state, FS1 turns to 1 and current supply to +22μA is cut off.

Then, CR charge/discharge circuit is formed and Pin 7 voltage decreases as time passes, as shown in Fig. 1.

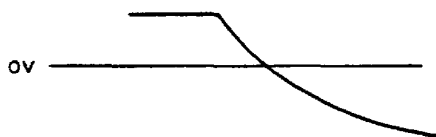


Fig. 1 Voltage at Pin 7 as FS1 changes from 0 to 1

The time constant is determined 50kΩ and an external capacitor.

Alternating commands \$02 and \$03 provides the focus search voltage (Fig. 2).

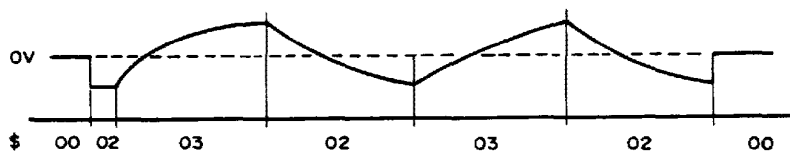


Fig. 2 Formation of search voltage through \$02 and \$03 (Pin 5 voltage)

1) FS4 description

This switch is placed between focus error input 47 and the focus phase compensation to switch the focus servo on and off.

\$00 → \$08
Focus off ← Focus on

2) Focus application

For explanation sake the polarity is assumed as follows:

- a) The lens moves away or toward the disc in search.
- b) At this time, output voltage at Pin 5 varies from negative to positive.
- c) Further on, the focus S-curve changes as follows:

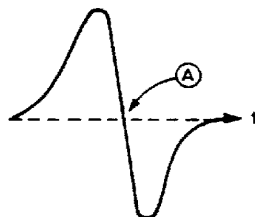


Fig. 3 S-curve

Focus servo is activated at operating point A shown in Fig. 3. Usually, focus search is performed and focus servo switch set ON when passing through A point in Fig. 3. Moreover, to prevent misoperation, a logical product (AND) is timed with the Focus-OK signal.

This IC is designed to output FZC (Focus Zero Cross) from Sense Pin (Pin 26), as the A point passing signal.

Focus-OK signal is output to indicate focus in ON (focus is enabled in this case). The following time chart shows how to obtain the focus.

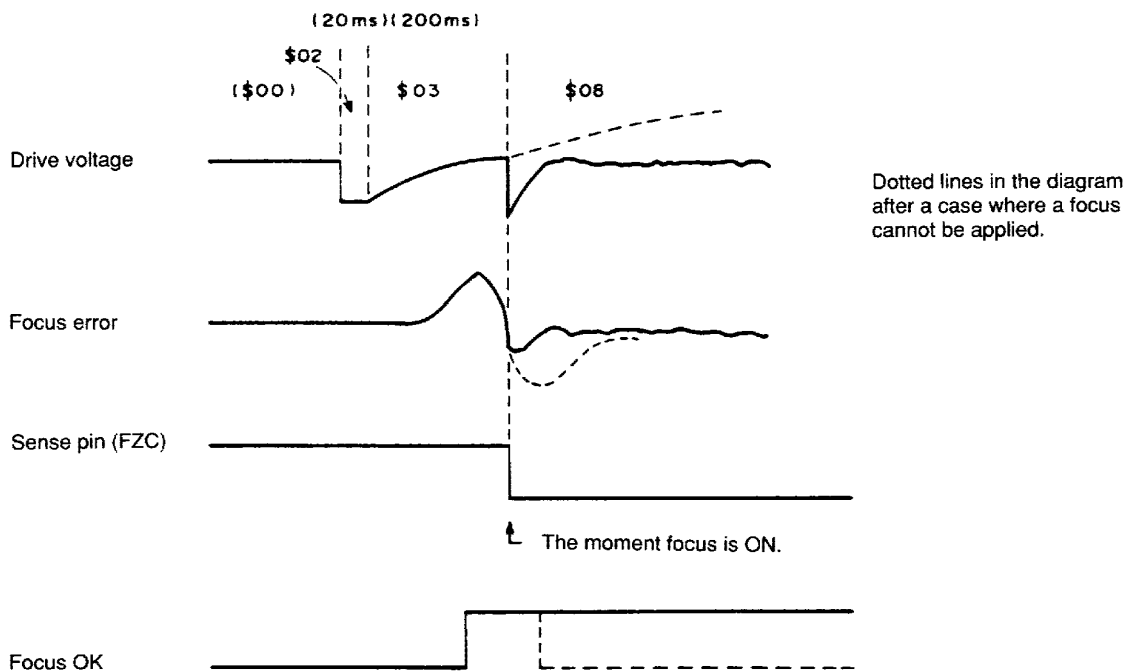


Fig. 4 Timing Chart of In-Focus

It is important here that \$08 command be transferred in the shortest possible time after FZC changes from H to L. To this effect, (b) sequence required for software is favoured over (a) sequence, shown below.

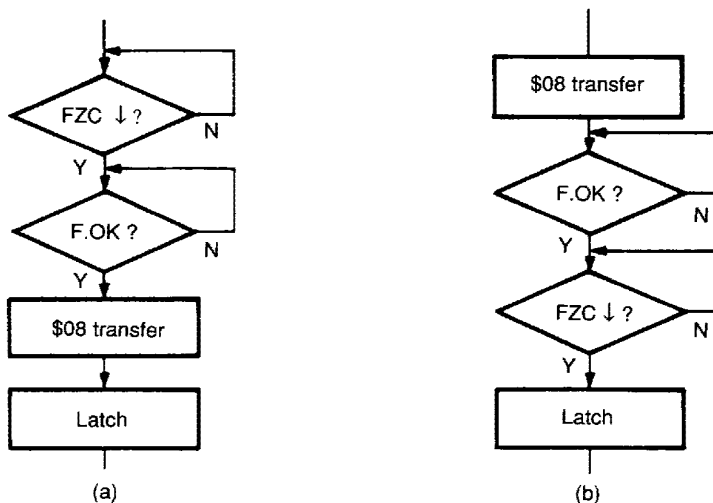


Fig. 5 Bad Sequence and Good Sequence
Better case (at right) recommended over poor sequence (at left)

3) Sense Pin (Pin 27)

Output at Sense Pin varies according to the input data.

That is: FZC is output with \$0X.

AS is output with \$1X.

TZC is output with \$2X.

SSTOP is output with \$3X.

HIGH-Z is output with \$4X to 7X.

2. At \$1X SENS (Pin 27 outputs signal "AS")

This command refers to ON/OFF of TG1, TG2 and the brake circuit.

The bit configuration is as follows:

D7	D6	D5	D4	D3	D2	D1	D0
0	0	0	1	ANTI	Brake	TG2	TG1
				SHOCK	Circuit		
				ON/OFF	ON/OFF		

TG1, TG2

These switches select Up/Normal of the tracking servo gain. The brake circuit prevents the erratic motion of the actuator. After 100-track or 10-track jumps, the servo circuit exceeds the linear range and the actuator often sets on the wrong track. Using a feature where the RF envelope and the tracking error are out of phase by 180° braking is applied when the actuator crosses the tracks either way to cut off tracking errors and stop undesirable jumping.

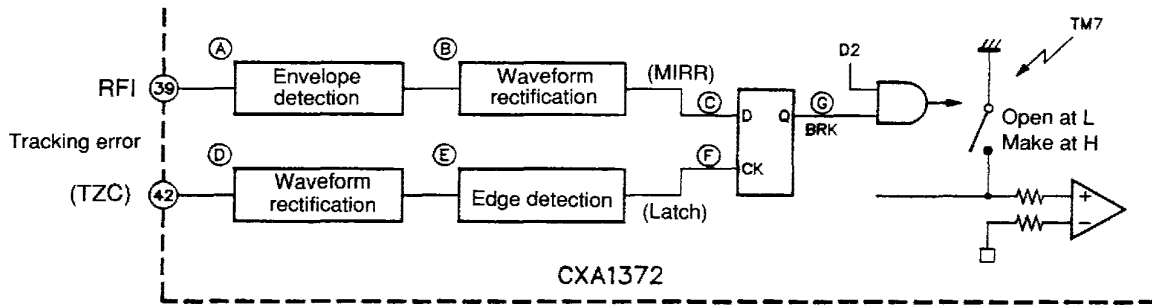


Fig. 6 TM7 Movement (Brake Circuit)

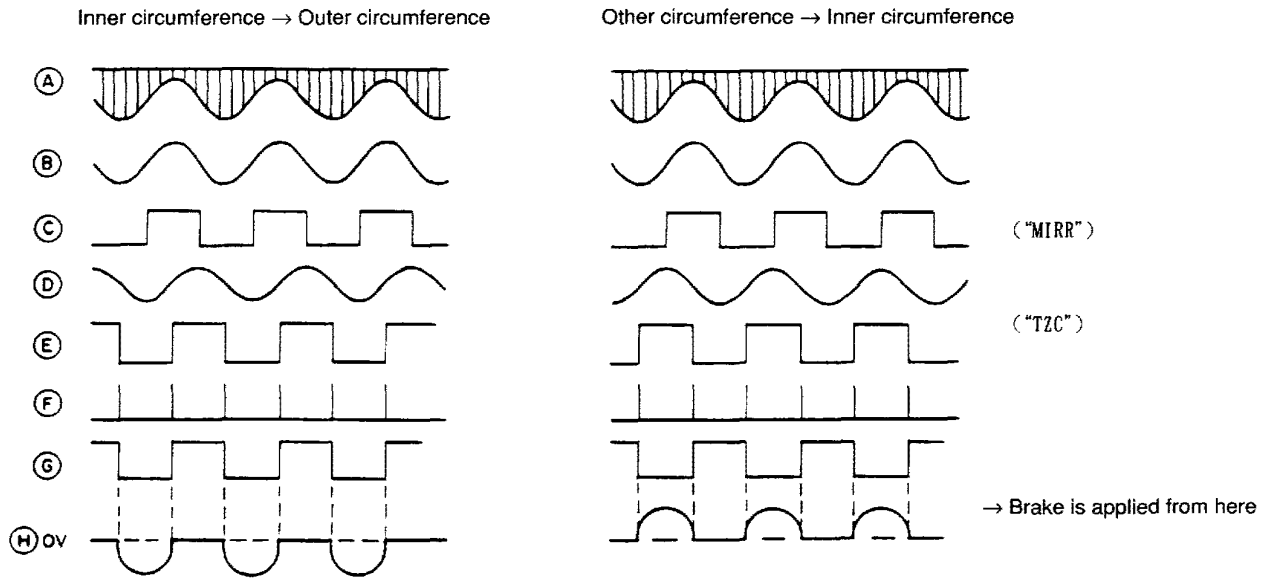


Fig. 7 External Waveform

3. At \$2X SENS (Pin 27) outputs signal "TZC"

This command relates to the ON/OFF of the tracking and sled servos as well as to the formation of jump and speed feeding pulses during access.

D7	D6	D5	D4	D3	D2	D1	D0
0	0	1	0	Tracking control		Sled control	
				00 off		00 off	
				01 Servo ON		01 Servo ON	
				10 F-JUMP		10 F-speed feed	
				11 R-JUMP		11 R-speed feed	
				↓		↓	
				TM1, TM3, TM4		TM2, TM3, TM6	

DIRC (Pin 20) and 1 Track Jump

Normally, an acceleration pulse is applied for a 1-track jump. Then a deceleration pulse is given for a specified time observing the tracking error from the moment it passes point 0 tracking servo is set on again after applying a deceleration pulse for a specified time. For the 100-track jump to be explained in the next item, as long as the number of tracks is about 100 there is no problem. However for the 1-track jump it must be exactly a 1-track jump, which requires the above complicated procedure. For the 1-track jump in CD players, both the acceleration and deceleration take about 300 to 400µs. When software is used to execute this operation, it turns out as shown in the flow chart of Fig. 9. Actually, it takes time to transfer data.

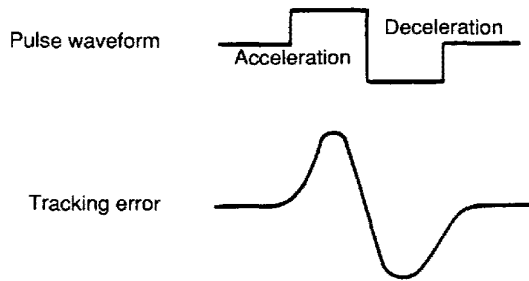


Fig. 8 Pulse Waveform and Tracking Error of 1-Track Jump

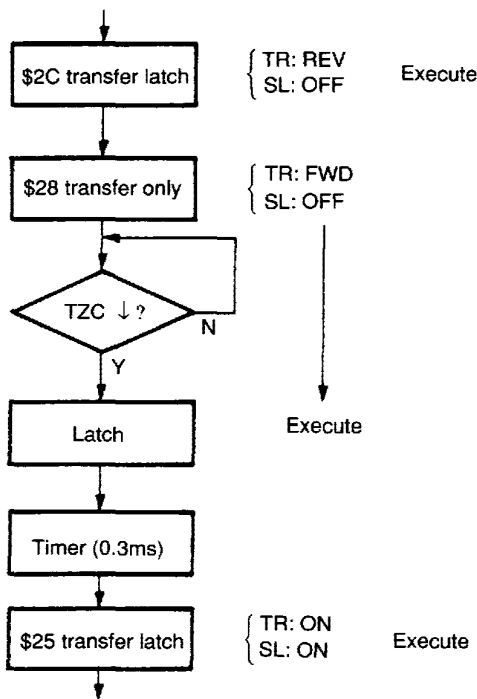


Fig. 9 1-Track Jump not using DIRC 20

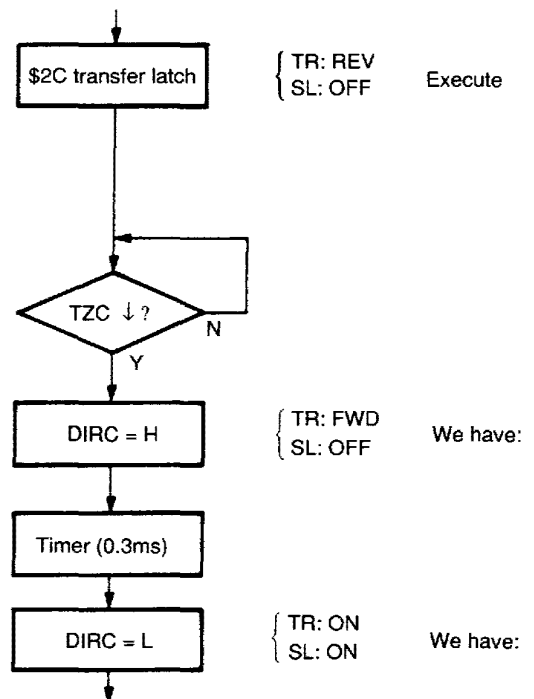


Fig. 10 1-Track Jump with DIRC 20

“DIRC” (Direct Control) Pin was provided in this IC to facilitate the 1-track jumping operation. That is to perform for 1-track jump using DIRC, the following process takes place (DIRC = normal H).

- (a) Acceleration pulse is output. (\$2C for REV or \$28 for FWD).
- (b) With TZC ↓ (or TZC ↑), set DIRC to L. (SENS Pin 27 outputs “TZC”). As the jump pulse polarity is inverted, deceleration is applied.
- (c) Set DIRC to H for a specific time.

Both the tracking servo and sled servo are switched on automatically.

As a result, the track jump turns out as shown in the flow chart of Fig. 10 and the two serial data transfers can be omitted.

4. \$3X

This command selects the Focus search and Sled kick peak values.

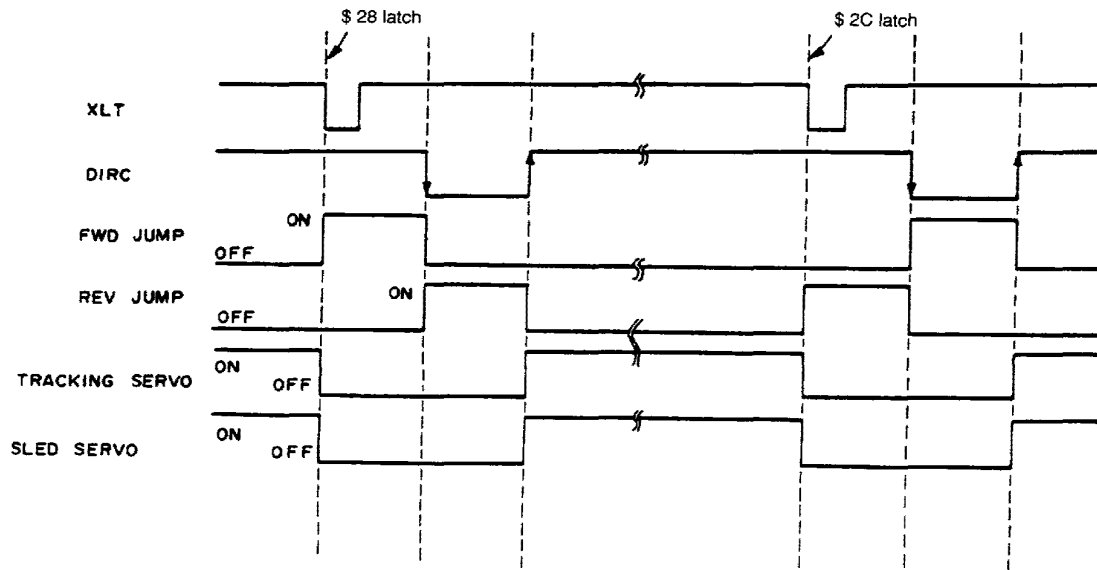
D0, D1 Sled, NORMAL feed, high-speed feed

D2, D3 Focus search peak selection

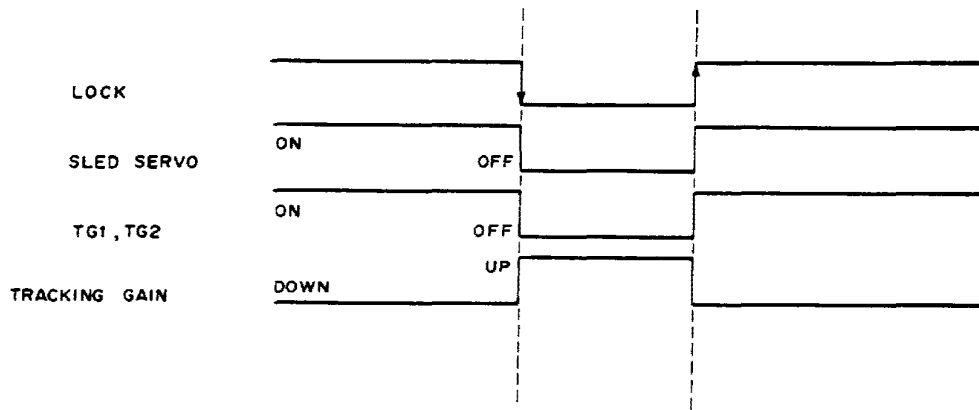
D7 D6 D5 D4	Focus search peak		Sled kick peak		Relative value
	D3 (PS3)	D2 (PS2)	D1 (PS1)	D0 (PS0)	
0 0 1 1	0	0	0	0	±1
	0	1	0	1	±2
	1	0	1	0	±3
	1	1	1	1	±4

Parallel Direct Interface

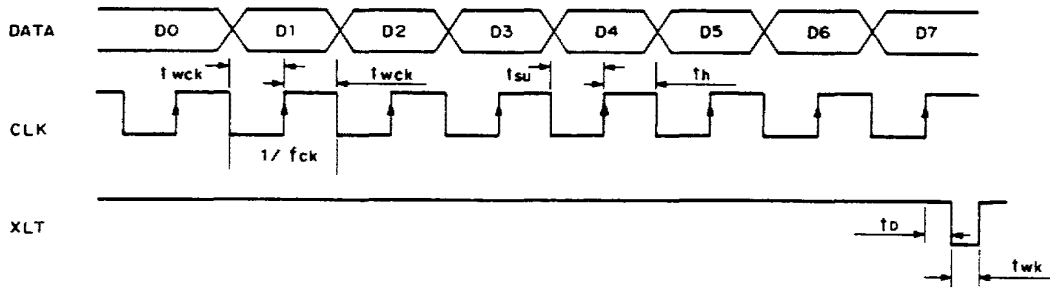
1. DIRC



2. LOCK (Sled runaway prevention circuit)



CPU Serial Interface Timing Chart



$DV_{cc} - DGND = 4.5 \text{ to } 5.5V$

Item	Symbol	Min.	Typ.	Max.	Unit
Clock frequency	f_{ck}			1	MHz
Clock pulse width	t_{wck}	500			ns
Setup time	t_{su}	500			ns
Hold time	t_h	500			ns
Delay time	t_d	500			ns
Latch pulse width	t_{wk}	1000			ns

System Control

Item	ADDRESS				DATA				SENS Output
	D7	D6	D5	D4	D3	D2	D1	D0	
Focus Control	0	0	0	0	FS4 Focus ON	FS3 Gain Down	FS2 Search ON	FS1 Search UP	FZC
Tracking Control	0	0	0	1	Anti Shock	Brake ON	TG2 Gain Set *1	TG1	A.S
Tracking Mode	0	0	1	0	Tracking Mode *2		Sled Mode *3		TZC
Select	0	0	1	1	PS4 Focus Search+2	PS3 Focus Search+1	PS2 Sled Kick+2	PS1 Sled Kick+1	SSTOP

Note) *1. GAIN SET

TG1 and TG2 can be set independently.

When the anti-shock is at 1 (0001xxxx), invert both TG1 and TG2 when the internal anti-shock is at H.

*2. TRACKING MODE

	D3	D2
OFF	0	0
ON	0	1
FWD JUMP	1	0
REV JUMP	1	1

*3. SLED MODE

	D1	D0
OFF	0	0
ON	0	1
FWD MOVE	1	0
REV MOVE	1	1

Serial Data Truth Table

Serial data	Hexa.	Function			
FOCUS CONTROL		FS = 4321			
00000000	\$00	0000			
00000001	\$01	0001			
00000010	\$02	0010			
00000011	\$03	0011			
00000100	\$04	0100			
00000101	\$05	0101			
00000110	\$06	0110			
00000111	\$07	0111			
00001000	\$08	1000			
00001001	\$09	1001			
00001010	\$0A	1010			
00001011	\$0B	1011			
00001100	\$0C	1100			
00001101	\$0D	1101			
00001110	\$0E	1110			
00001111	\$0F	1111			
TRACKING CONTROL		AS=0		AS=1	
		TG=2	1	TG=2	1
00010000	\$10	0	0	0	0
00010001	\$11	0	1	0	1
00010010	\$12	1	0	1	0
00010011	\$13	1	1	1	1
00010100	\$14	0	0	0	0
00010101	\$15	0	1	0	1
00010110	\$16	1	0	1	0
00010111	\$17	1	1	1	1
00011000	\$18	0	0	1	1
00011001	\$19	0	1	1	0
00011010	\$1A	0	1	0	1
00011011	\$1B	1	1	0	0
00011100	\$1C	0	0	1	1
00011101	\$1D	0	1	1	0
00011110	\$1E	1	0	0	1
00011111	\$1F	1	1	0	0

TRACKING MODE		DIRC=1 TM=654321	DIRC=0 654321	DIRC=1 654321
00100000	\$20	000000	001000	000011
00100001	\$21	000010	101010	000011
00100010	\$22	010000	011000	100001
00100011	\$23	100000	101000	100001
00100100	\$24	000001	000100	000011
00100101	\$25	000011	000110	000011
00100110	\$26	010001	010100	100001
00100111	\$27	100001	100100	100001
00101000	\$28	000100	001000	000011
00101001	\$29	000110	001010	000011
00101010	\$2A	010100	011000	100001
00101011	\$2B	100100	101000	100001
00101100	\$2C	001000	000100	000011
00101101	\$2D	001010	000110	000011
00101110	\$2E	011000	010100	100001
00101111	\$2F	101000	100100	100001

Others

1. Connection of the power supply pin

	VCC	VEE	VC
±5V dual power supply	+5V	-5V	0V
5V single power supply	+5V	0V	VC

2. FSET pin

FSET pin determines the high frequency phase compensation for Focus and Tracking servo, and the cut-off frequency (f_c) of CLV LPF.

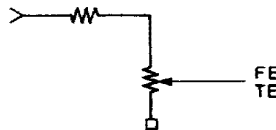
3. ISET pin

ISET current = $1.27V/R$
 = Focus search current (\$30)
 = Tracking kick current
 = 1/2 sled kick current (\$30)

4. In the tracking amplifier, input is clamped at $1 V_{BE}$ to prevent over input.

5. How to change FE and TE gains

- (1) To increase: Pins ⑤ and ⑥, Pins ⑪ and ⑫ to more than $100k\Omega$
- (2) To decrease: Divide FE and TE input resistance



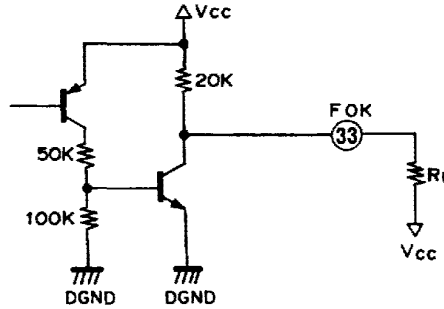
6. Microcomputer interface 20 to 25, set input voltage of pin to

more than $V_{IH}V_{CC} \times 90\%$
 less than $V_{IL}V_{CC} \times 10\%$

7. Focus OK circuit

- (1) To set the time constants for the focus OK amplifier LPF and the mirror amplifier HPF refer to the paragraph on Description of Operations.

(2) The equivalent circuit of FOK output pin is as follows,



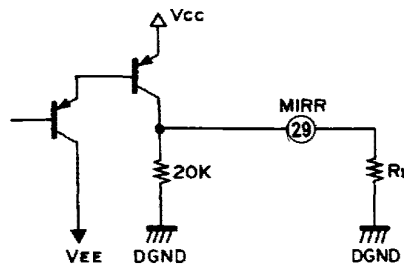
Accordingly FOK comparator output is:

Output voltage H: $V_{FOKH} = \text{near } V_{CC}$

Output voltage L: $V_{FOKL} = V_{\text{sat}}(\text{NPN}) + \text{DGND}$

8. Mirror Circuit

(1) The equivalent circuit of MIRR output pin is as follows.



MIRR comparator output is:

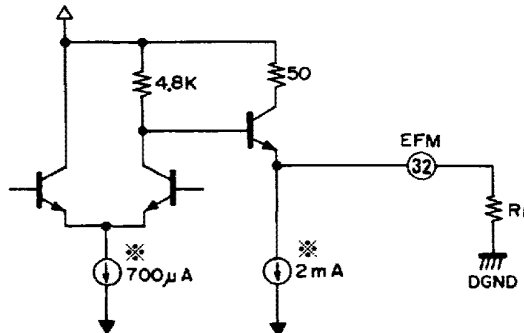
Output voltage H: $V_{MIRH} = V_{CC} - V_{\text{sat}}(\text{LPNP})$

Output voltage L: $V_{MIRL} = \text{near DGND}$

9. EFM Comparator

(1) Note that EFM duty varies when CXA1372 Vcc differs from that of DSP IC (Such as CXD2500).

(2) The equivalent circuit of EFM output pin is as follows.

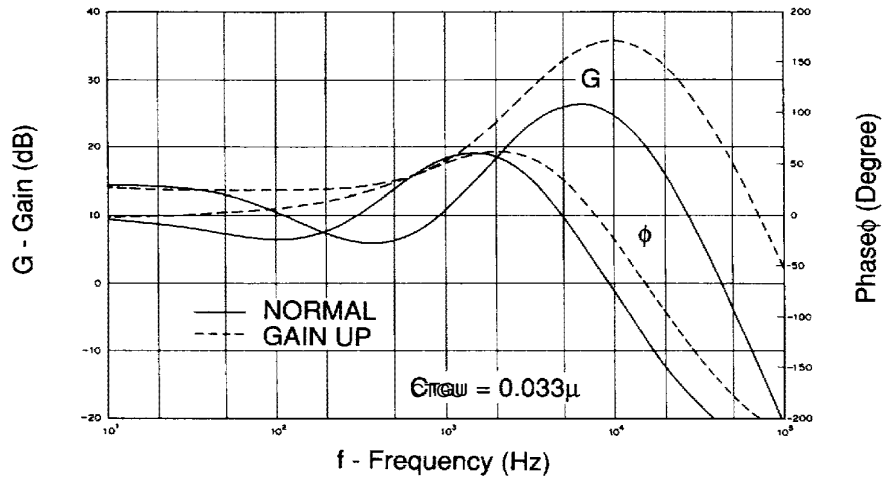


*The power supply current is given as 5V from Vcc to DGND. Then we have EFM comparator output as follows,

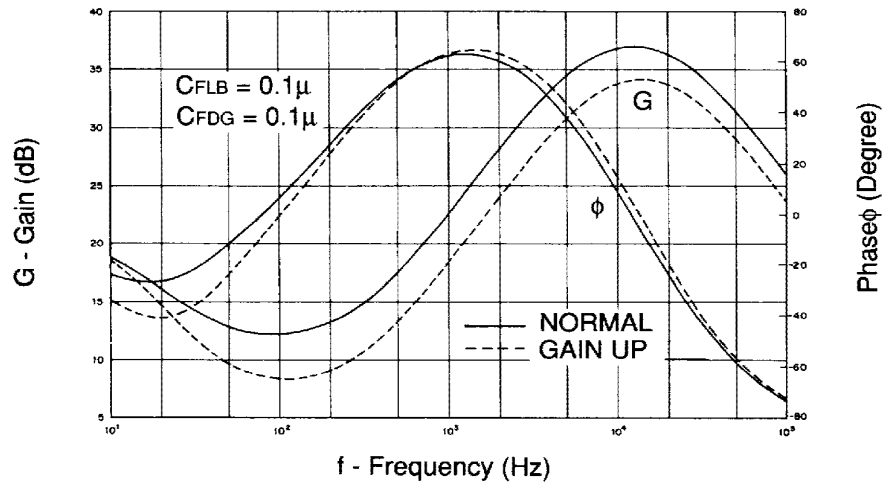
Output voltage H: $V_{EFMH} = V_{CC} - V_{BE}(\text{NPN})$

Output voltage L: $V_{EFML} = V_{CC} - 4.8(\text{k}\Omega) \times 7(\mu\text{A}) - V_{BE}(\text{NPN})$

Tracking frequency characteristics



FOCUS frequency characteristics

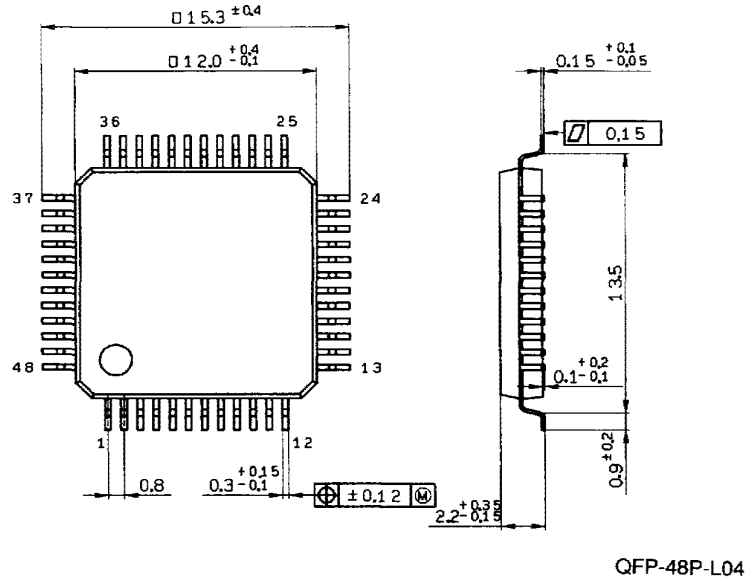


Package Outline Unit: mm

CXA1372Q

48pin QFP (Plastic)

0.6g



CXA1372S

48pin SDIP (Plastic)

600mil 5.1g

