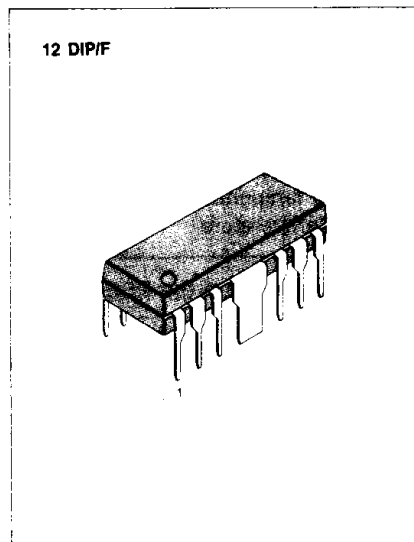


2.3W DUAL AUDIO POWER AMPLIFIER

The KA2206 is a monolithic integrated circuit consisting of a 2-channel power amplifier. It is suitable for stereo and bridge amplifier application of radio cassette tape recorders.

FEATURES

- High output power
Stereo: $P_o = 2.3W$ (Typ) at $V_{cc} = 9V$, $R_L = 4\Omega$.
Bridge: $P_o = 4.7W$ (Typ) at $V_{cc} = 9V$, $R_L = 8\Omega$.
- Low switching distortion at high frequency.
- Small shock noise at the time of power on/off due to a built-in muting circuit
- Good ripple rejection due to a built-in ripple filter.
- Good channel separation.
- Soft tone at the time of output saturation.
- Closed loop voltage gain fixed 45dB (Bridge: 51dB) but availability with external resistor added.
- Minimum number of external parts required.
- Easy to design radiator fin.



ORDERING INFORMATION

| Device | Package | Operating Temperature |
|--------|----------|-----------------------|
| KA2206 | 12 DIP/F | -20°C ~ 70°C |

BLOCK DIAGRAM

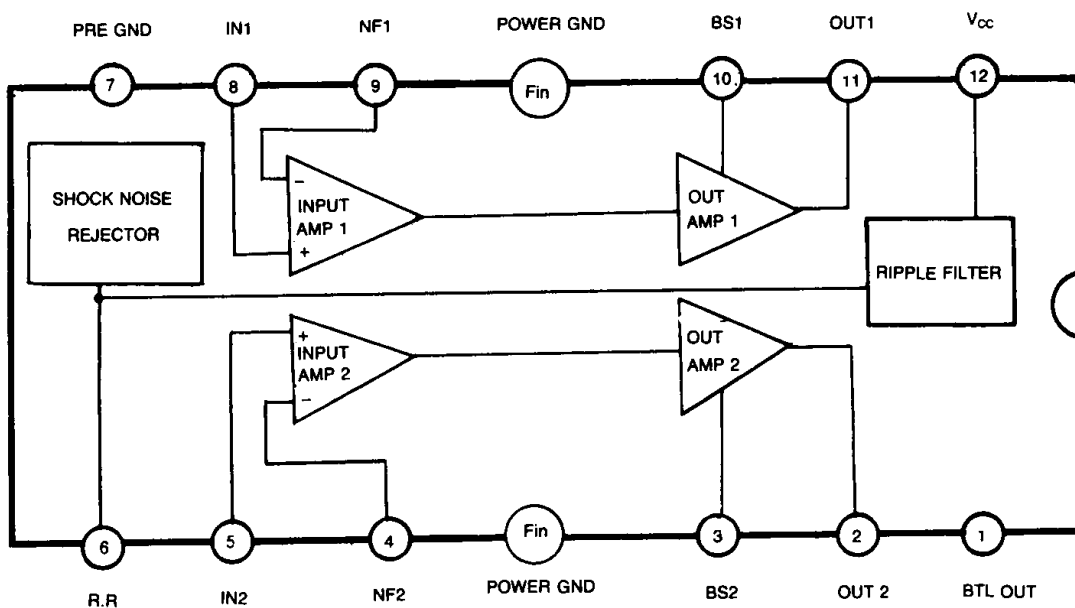


Fig. 1