

High Performance CCFL Controller



DESCRIPTION

CCFL Controller for Next Generation of 40 inch and Larger LCD TVs with Ultra-Realistic Display Quality and Performance Integrates JIN's PureBLACK™ Megacontrast Dimming Technology

The LX6503A is a high performance CCFL controller optimized for larger LCD-TV and other multi-lamp LCD display systems. It enables cost competitive solutions for off-PFC HV-LIPS inverter applications. The controller provides a pair of push-pull PWM drive signals. The output drivers can drive a push-pull, half bridge, or full bridge CCFL inverter configuration with the addition of simple external circuitry.

An on-chip regulator supplies both the operating voltage for the output gate drive and bias to the internal control circuitry. This allows a direct connection of the controller to the system supply extending the voltage up to 27V without external regulators. The lamp current regulation circuit comprises a simple and robust control loop design with good regulation accuracy and dynamic response at transient conditions. A soft start feature provides more reliable lamp strike and allows effective control of the possible inverter start up surge current and lamp current/voltage overshoot and SYNC functionality enables inverter synchronization to an external source frequency.

The LX6503A integrates JIN's PureBLACK™ megacontrast digital burst dimming functionality to provide true black mega contrast capabilities for CCFL based displays. In addition, reliable fault detection and protection functions are facilitated including open lamp, over voltage, short circuit, and over current protection. Furthermore, programmable striking frequency, programmable strike and protection timing, and fault indication are all built-in with the very compact chip design. The device is available in a 16 lead narrow body SOIC surface mount package with an industrial temperature grade rating.

Key Features	Benefits
400V Off-PFC HV-LIPS Support > Half-bridge or Full-Bridge drive support for inverters	Optimal System Cost and Increased Efficiency > Reduced number of power stages increase efficiency at a reduced overall system BOM – easier regulatory agency compliance
Integrated JIN's PureBLACK™ Mega Dimming > Supports BURST PWM dimming for 'true zero' percent duty cycle operation	Enhanced Image Quality and more Realistic Video > Superior black levels for increased dynamic contrast ratio > Great shadow detail for a more enjoyable viewing experience
Comprehensive Brightness Control Modes > Analog only ⇔ adjust lamp current only > Analog BURST Dimming ⇔ analog voltage to BURST PWM > Digital BURST Dimming ⇔ Direct PWM BURST input	Increased Flexibility and Performance > Wide dimming range and multiple architecture support > Ease of implementation > Reduced cost with reduction of external components
Multiple Drive Topologies Supported > Push-Pull, Half-bridge, and Full-bridge > 600mA sourcing or sinking gate drivers	Ease of Use and Flexibility > One device supports multiple inverter architectures and applications > Reduces cost by eliminating need for high current external buffer
Lamp Frequency Synchronization - SYNC > Auto sync signal detection to lower or higher external frequency with min/max limiting and frequency hold	Improved Versatility/Performance with Reduced Cost > Improved image quality with reduced beat frequency artifacts > Integration reduces cost while supporting multiple formats/sources
Protection, Lamp Strike, Detection, and Operation > OLP, OVP (regulation/protection), OIP and Short Circuit > Programmable STRIKE and Fault time (run mode) > Programmable STRIKE frequency	Reliability, Flexibility, Ease of Use, and Reduced Cost > User configurable, supports multiple panel types and customer need > Enhanced operation at very low duty cycles to avoid false open lamp protection while detecting true open lamp detection

APPLICATIONS

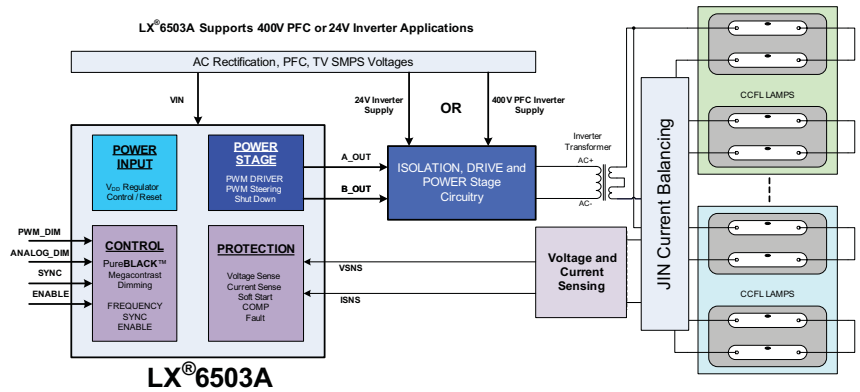
- > Large screen LCD Televisions
- > Multi-lamp LCD monitors for demanding graphics and imaging applications
- > CCFL, EEFL, FFL Backlight systems

PRODUCT BRIEF LX6503A

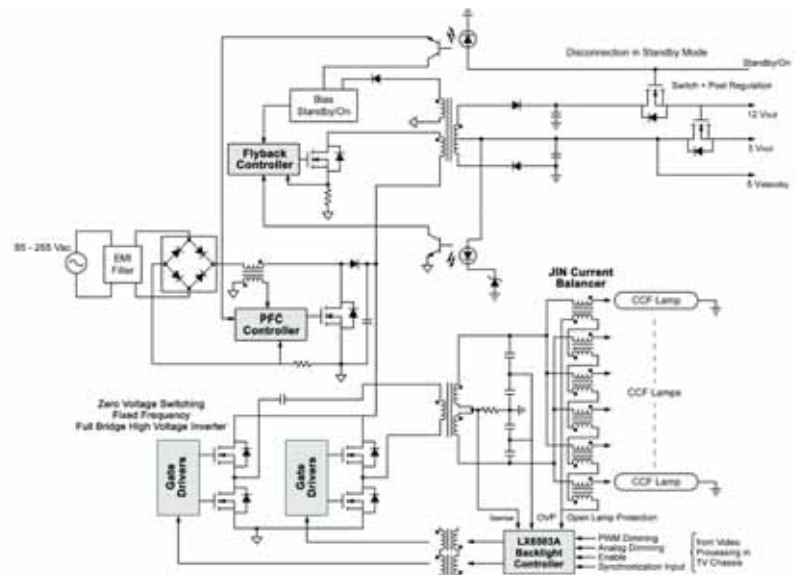
Additional Features

- > 6V to 27V power rail operation
 - 36V absolute maximum
- > On chip voltage regulator
 - With UVLO protection, POR
- > Soft Start Control
- > Highly accurate lamp operation
 - Current control ⇔ +/- 2%
 - Frequency set ⇔ +/- 3%
- > Programmable STRIKE time and STRIKE frequency
- > Programmable FAULT time
- > Programmable BURST dimming frequency
- > ENABLE control signal
- > Supports 2:1 Strike/Run frequency ratios (typical)
- > JIN Balancer optimized to support 'true' zero BURST duty cycle dimming
- > Industrial Temperature Grade
 - -40°C to +85°C
- > 16 lead, narrow body, SOIC

Simplified Block Diagram



HV-LIPS Overall System Diagram



Ordering Information

LX6503AID	SOIC, 16 lead, Narrow Body, RoHS compliant, Pb-free, Industrial Temperature, Tubes	$\theta_{JA} = 82.2^{\circ}\text{C/W}$
LX6503AID - TR	SOIC, 16 lead, Narrow Body, RoHS compliant, Pb-free, Industrial Temperature, Tape and Reel ⇔ 2500 pcs/reel	$\theta_{JA} = 82.2^{\circ}\text{C/W}$

Technical Support Information: For LX6503A / LX6523A and other CCFL or Display family of products, please contact your local Microsemi Field Applications Engineer.

For more information about Microsemi products and the name of a local representative, distributor or sales person, please visit www.microsemi.com or contact us at +1 (714) 898-8121 or +1 (949) 221-7100.

