



Fast Recovery Diodes

RF2001NS3D

[Product description]

ROHM's fast recovery diodes are ultra high-speed, low VF, and suited for significant efficiency increase of switching power supply as well as reduction of switching loss.

Features

E Power mold type.

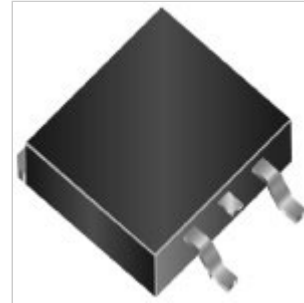
E Ultra-low Reverse recovery energy.

Product specifications

Absolute maximum ratings (Ta=25°C)

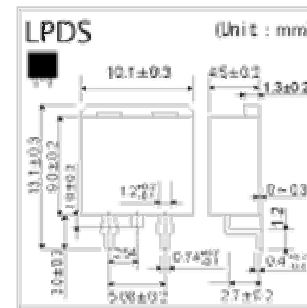
Rated parameters	Standard value	Conditions
Repetitive peak reverse voltage V_{RM} (V)	350	
Reverse voltage(DC) V_R (V)	300	
Forward current I_F	-	
Average rectified forward current I_O (A)	20	
Forward current surge peak I_{FSM} (A)	100	60Hz/1cyc
Junction temperature T_j (°C)	150	
Storage temperature T_{stg} (°C)	-55 to +150	

Outline

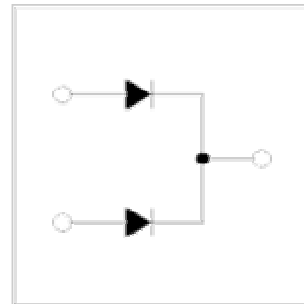


10.1x9.0(t=4.5)

Dimensions



Equivalent circuit diagram



*The contents described here are just outline for introduction.

Please obtain the specification sheets from us for thorough check before use.