

SHINDENGEN

Super Fast Recovery Rectifiers

Dual

DF20LC30

300V 20A

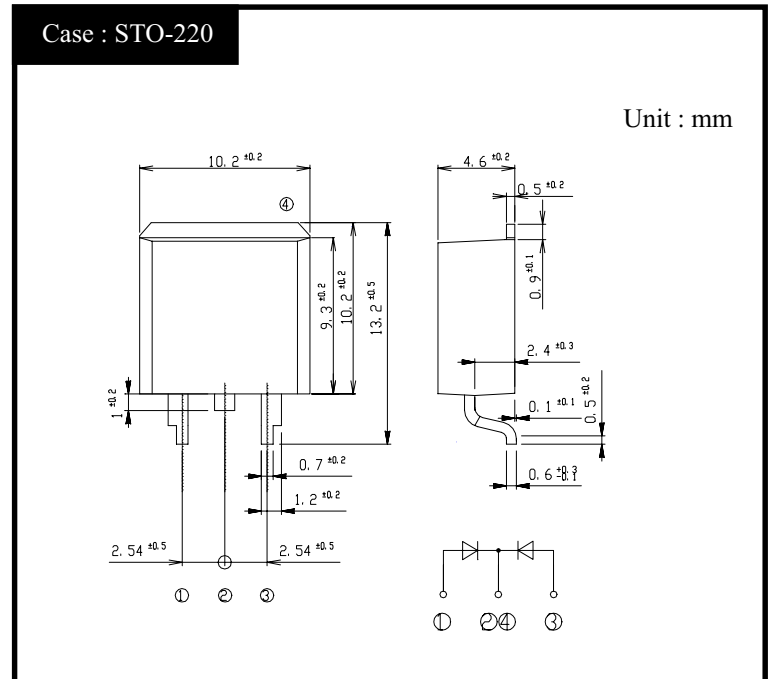
FEATURES

- SMT
- Low noise
- trr30ns

APPLICATION

- Switching power supply
- DC/DC converter
- Free Wheel
- Home Appliances, Office Equipment
- Telecommunication, Factory Automation

OUTLINE DIMENSIONS



RATINGS

● Absolute Maximum Ratings (If not specified Tc=25°C)

Item	Symbol	Conditions	Ratings	Unit
Storage Temperature	T _{stg}		-55~150	°C
Operating Junction Temperature	T _j		150	°C
Maximum Reverse Voltage	V _{RM}		300	V
Average Rectified Forward Current	I _O	50Hz sine wave, R-load, Rating for each diode I _o /2, T _c =124°C	20	A
Peak Surge Forward Current	I _{FSM}	50Hz sine wave, Non-repetitive 1 cycle peak value, T _j =25°C	180	A

● Electrical Characteristics (If not specified Tc=25°C)

Item	Symbol	Conditions	Ratings	Unit
Forward Voltage	V _F	I _F =10A, Pulse measurement, Rating of per diode	Max.1.3	V
Reverse Current	I _R	V _R =V _{RM} , Pulse measurement, Rating of per diode	Max.25	μA
Reverse Recovery Time	t _{rr}	I _F =0.5A, I _R =1A, Rating of per diode	Max.30	ns
Junction Capacitance	C _j	f=1MHz, V _R =10V, Rating of per diode	TYP 90	pF
Thermal Resistance	θ _{jc}	junction to case	Max.1.0	°C/W