

AN7161NFP

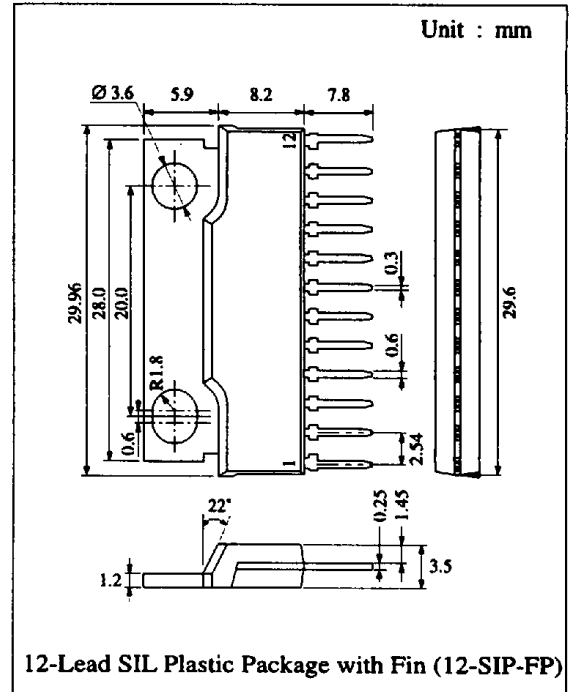
BTL High Audio Power Amplifier

■ Description

The AN7161N is a monolithic integrated circuit designed for BTL audio high power amplifier with built-in headphone amplifier. It can be widely applicable to Hi Fi, car stereo and TV sound multiplex output.

■ Features

- Low quiescent current, low distortion, low noise, high output power
- Wide supply voltage range: $V_{CC} = 6V \sim 26V$
- Incorporating headphone amplifier circuit
- Built-in muting circuit
- Incorporating protection circuits
- 12-Lead single-in-line package
- Fewer external components
- Low shock noise from power ON/OFF operation



■ Block Diagram

